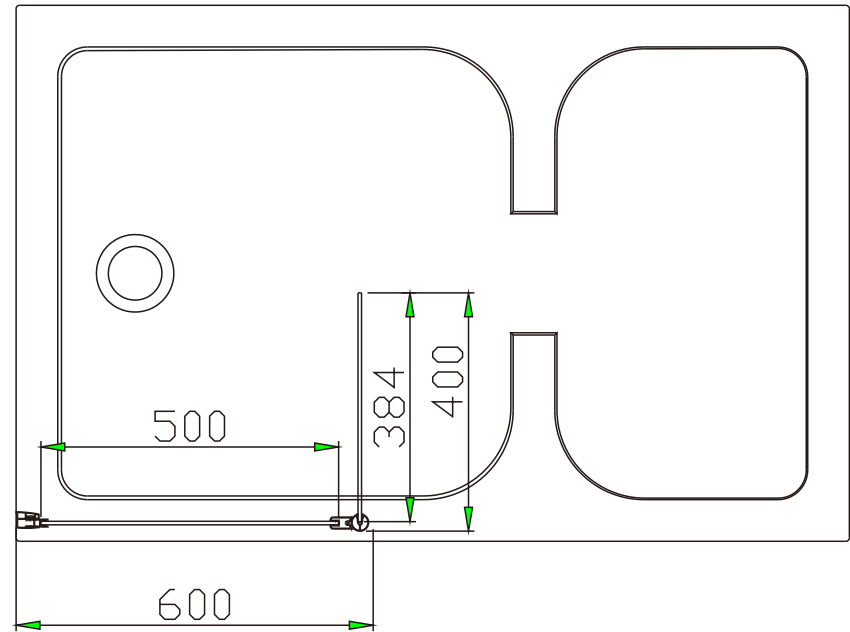
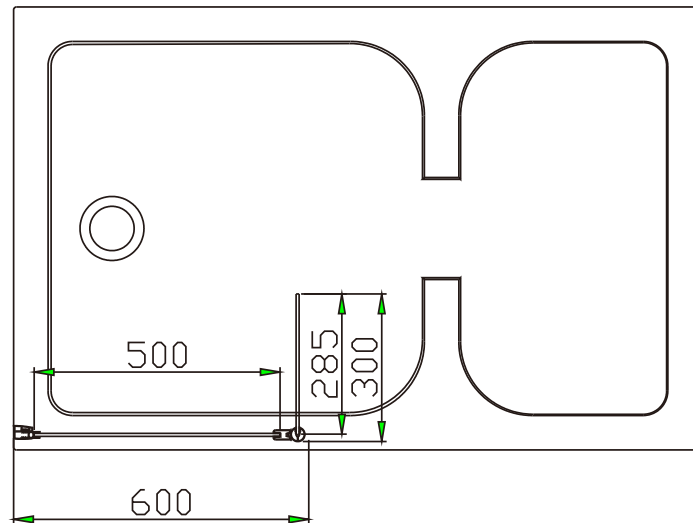


58.819



58.818



58.817 / 58.533